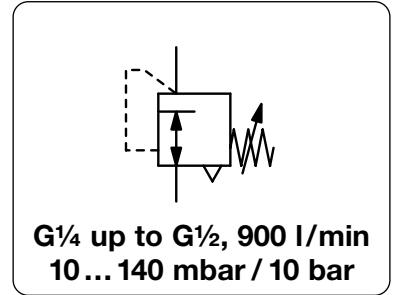


<b>Description</b>	The diaphragm pressure regulator provides precision regulation in high flow applications. A balanced inner valve, sensitive rolling diaphragm and carefully positioned aspirator tube ensure constant outlet pressure even with changing supply pressure and flow fluctuations.	
<b>Media</b>	compressed air or non-corrosive gases	
<b>Supply pressure</b>	max. 17 bar	
<b>Accuracy</b>	response sensitivity: < 4 mbar	
<b>Air consumption</b>	max. 6 l/min, subject to outlet pressure	
<b>Adjustment</b>	by handwheel with locknut	
<b>Relieving function</b>	relieving, optionally non-relieving	
<b>Relief capacity</b>	110 l/min at 1.5 bar outlet and 0.35 bar overpressure above setpoint	
<b>Gauge port</b>	G $\frac{1}{4}$ on both sides of the body, optionally $\frac{1}{4}$ " NPT	
<b>Temperature range</b>	0 °C to 80 °C / 32 °F to 176 °F, for appropriately conditioned compressed air down to -40 °C / -40 °F	
<b>Material</b>	Body: aluminium die-cast Elastomer: NBR/Buna-N	Mounting position any Inner valve: brass, galvanized steel



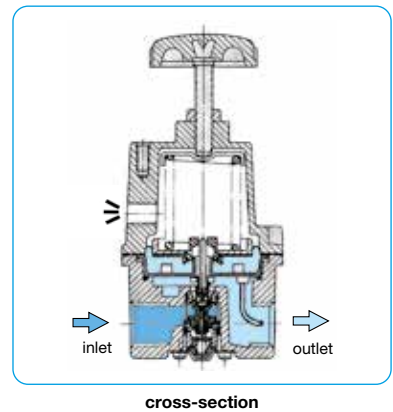
Dimensions			K <sub>v</sub> -value (m <sup>3</sup> /h)	Flow rate m <sup>3</sup> /h*1 l/min*1	Connection thread G	Pressure range bar	Order number
A	B	C					
mm	mm	mm					

Precision pressure regulator							supply pressure max. 17 bar, relieving, with constant bleed	R230
67	154	16	0.5	54	900	G $\frac{1}{4}$	0.01 ... 0.14	R230-020
							0.01 ... 1.0	R230-02A
							0.01 ... 2.0	R230-02B
							0.07 ... 4.0	R230-02C
							0.14 ... 10	R230-02D



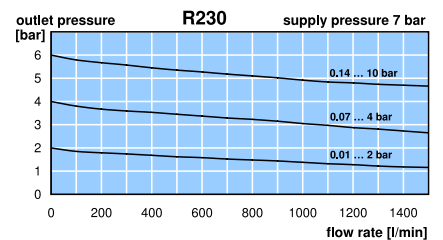
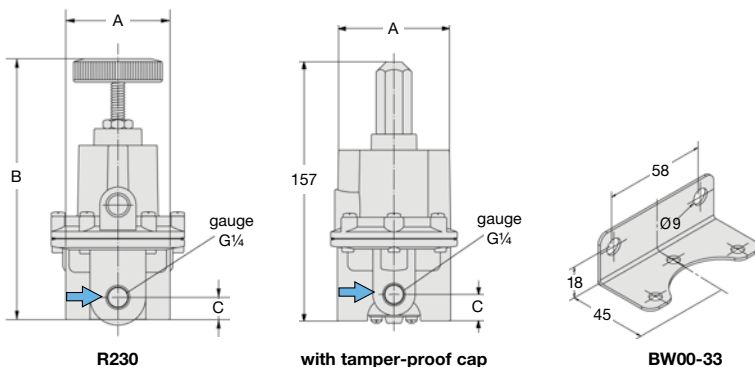
**Special options**, add the appropriate letter

G $\frac{3}{8}$	connection thread	R230-03 .
G $\frac{1}{2}$	connection thread, recommended for mbar range	R230-04 .
NPT	connection thread	R230-0 . .N
non-relieving	and without constant bleed	R230-0 . .K
reduced bleeding		R230-0 . .X19
tapped exhaust	connection thread G $\frac{1}{4}$	R230-0 . .X12
tamper-proof cap	aluminium, adjustment by screwdriver, total height 157 mm	R230-0 . .T
check valve	quick exhaust at supply pressure removal	R230-0 . .X80



**Accessories**, enclosed

pressure gauge	Ø 63 mm, 0...160 mbar, G $\frac{1}{4}$ , capsule type	MA6302-C2
pressure gauge	Ø 50 mm, 0...*2 bar, G $\frac{1}{4}$ , Bourdon tube	MA5002-...*2
gauge connectors	NPT connection thread, adapter $\frac{1}{4}$ " NPT to G $\frac{1}{4}$ female	VP-0202N
mounting bracket	made of steel	BW00-33



\*1 at 7 bar supply pressure, 6 bar outlet pressure and 1 bar pressure drop  
\*2 01 = 0...1 bar, 02 = 0...2.5 bar, 06 = 0...6 bar, 10 = 0...10 bar

\* Product group